

The Dacor logo is rendered in a bold, italicized, sans-serif font with a metallic, 3D effect. The letters are dark with a lighter, reflective highlight on the top and left sides, giving it a sleek, modern appearance.

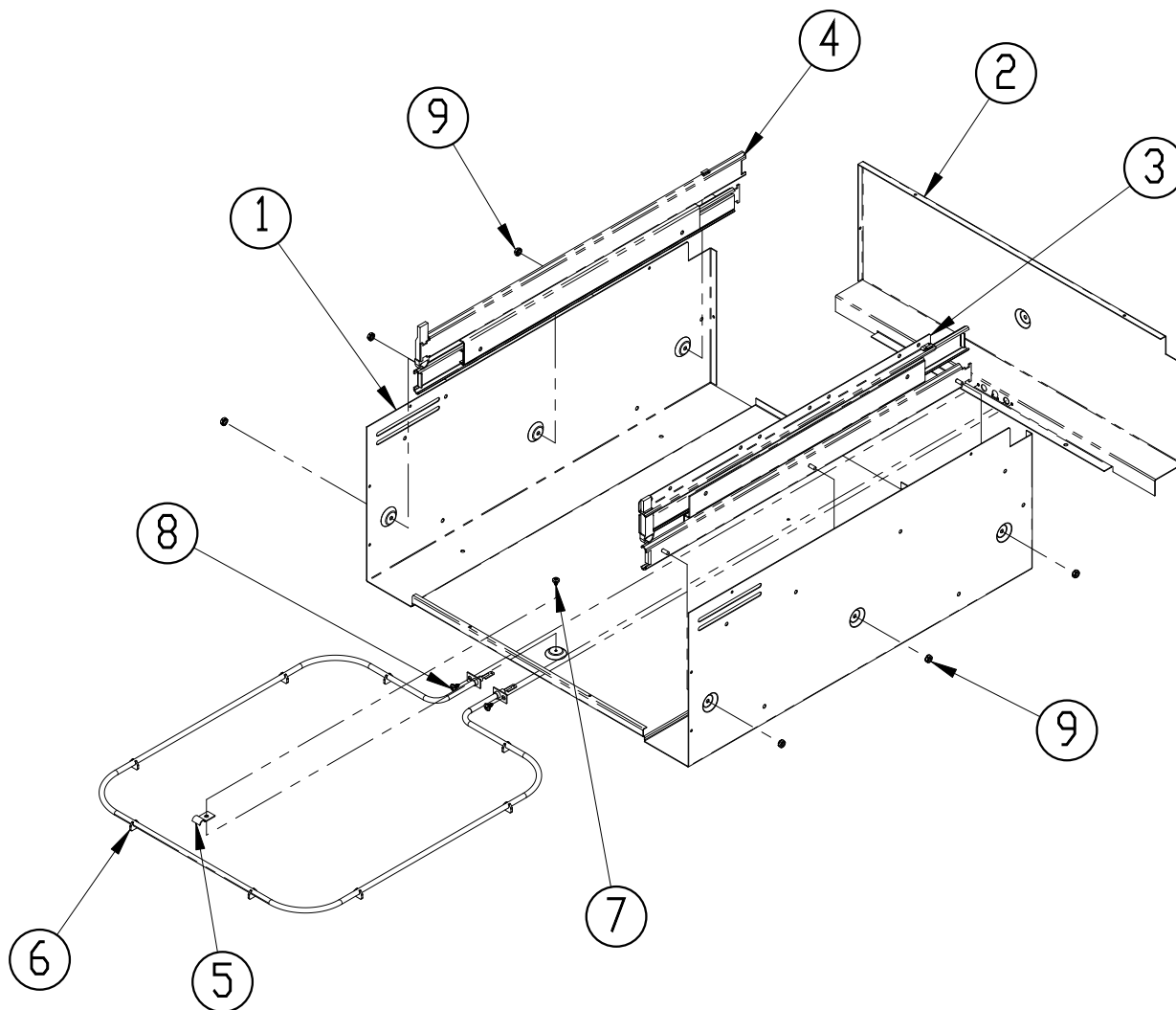
The Life of the Kitchen.®

A background image of a Dacor MRWD27/30 SS/BK range. The range is a stainless steel gas cooktop with a built-in oven below. It features four burners on the cooktop and a control panel with knobs. The oven door is slightly open, revealing the interior. The range is set in a kitchen environment with various items on the countertop, including a bowl, a bottle, and a basket.

## **MRWD27/30 SS/BK**

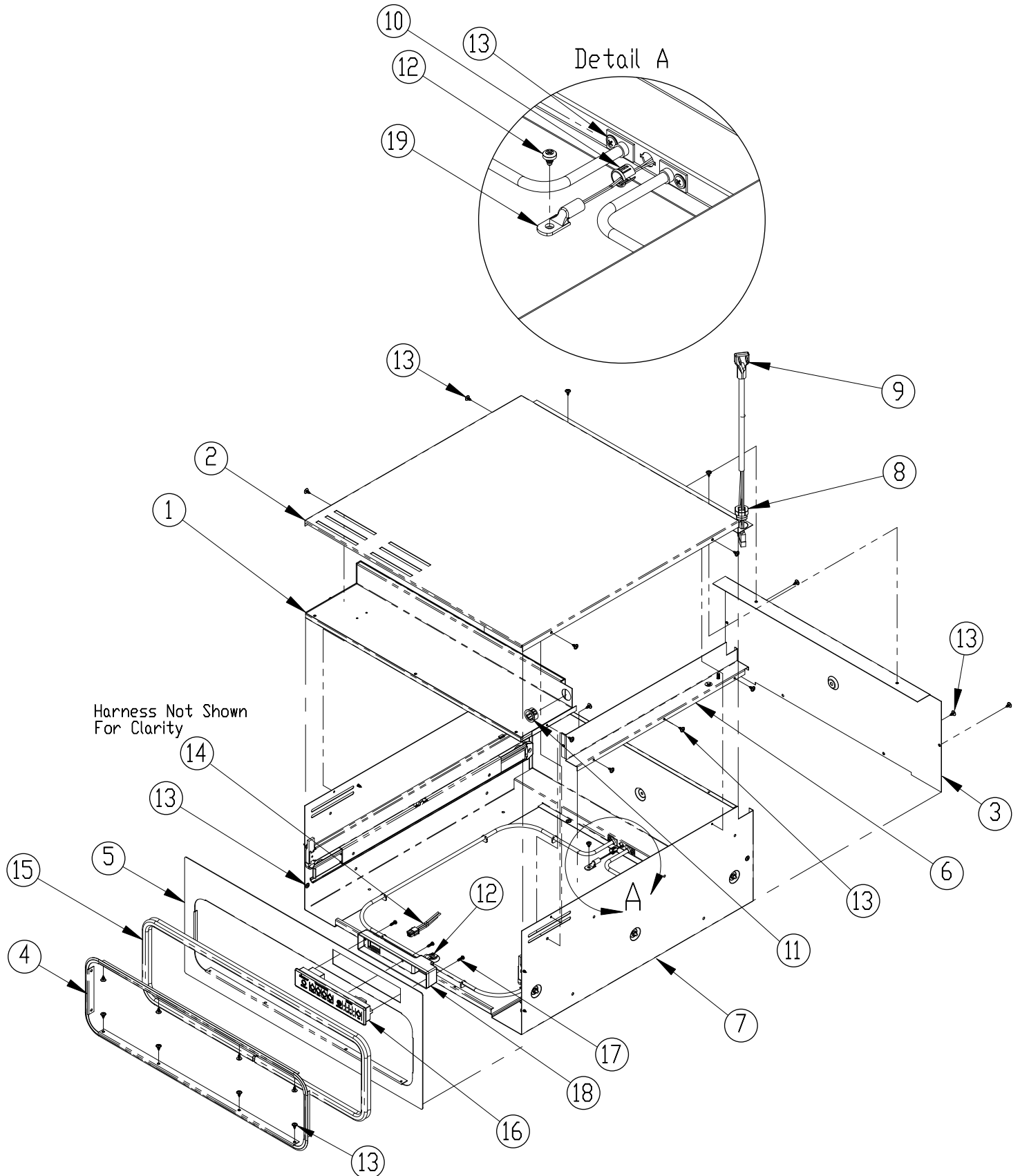
| <b>Page #</b> | <b>Sheet Title</b>           |
|---------------|------------------------------|
| <b>1</b>      | <b>Chassis Wrap Assembly</b> |
| <b>2</b>      | <b>Chassis Assembly</b>      |
| <b>3</b>      | <b>Chassis Parts</b>         |
| <b>4</b>      | <b>Drawer Assembly</b>       |

# MRWD Chassis Wrap Assembly SS/Blk



| Ref # | Description               | MRWD27S               | MRWD30S/B |
|-------|---------------------------|-----------------------|-----------|
| 1     | Wrap, Chassis, WD24       | 101883-02             | 101883-03 |
| 2     | Partition, Rear           | 101881-02             | 101881-03 |
| 3     | Slide Rail Set, Right     | 72737 - Sold as a set |           |
| 4     | Slide Rail Set, Left      |                       |           |
| 5     | Clip, Element Hold down   | 102321                | 102321    |
| 6     | Heating Element           | 101651                | 101651    |
| 7     | Screw, Phil HD, #8 x 1/4" | 83001                 | 83001     |
| 8     | Screw, Phil HD, #8 x 3/8" | 83263                 | 83263     |
| 9     | Nut Hex Keps #8-32        | 83048                 | 83048     |

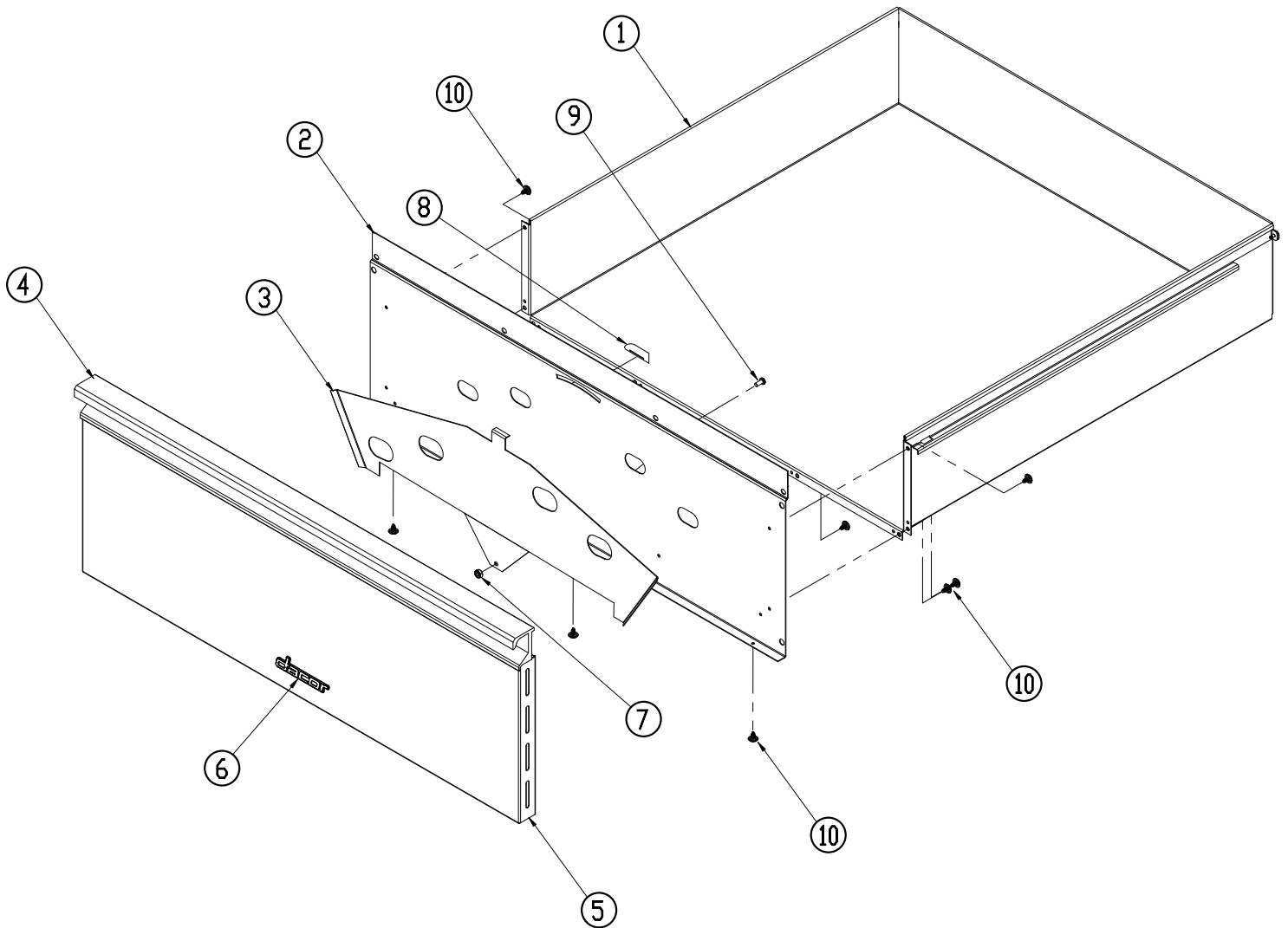
# MRWD Chassis Assembly SS/Blk








# MRWD Chassis Parts SS/Blk

| Ref #   | Description                     | MRWD27S     | MRWD30S/B   |
|---|---------------------------------|-------------|-------------|
| 1   | Asy, Channel Control            | 700738-02   | 700738-03   |
| 2   | Top Cover                       | 101882-02   | 101882-03   |
| 3   | Cover, Rear                     | 101657-02   | 101657-03   |
| 4   | Frame Gasket*                   | 102442*     | 102445*     |
| 5   | Control Panel*                  | 101879-02B* | 101879-03B* |
| 6   | Electric Chase Weld             | 700877      | 700877      |
| 7   | Asy, Chassis Wrap               | 700591-02   | 700591-03   |
| 8   | Strain Relief Bushing           | 83141       | 83141       |
| 9   | Power Supply Cord               | 72765       | 72765       |
| 10  | 3/8" Bushing Hole               | 83523       | 83523       |
| 11  | Bushing, Heyco                  | 83056       | 83056       |
| 12  | Screw, Phil HD, #8 x 1/4"       | 83001       | 83001       |
| 13  | Screw, Phil HD, #8 x 3/8"*      | 83263*      | 83263*      |
| 14  | Wire Harness (Not Shown)        | 102347      | 102347      |
| -   | Hi-Limit Thermostat (Not Shown) | 106613      | 106613      |
| 15  | Gasket*                         | 101648*     | 101649*     |
| 16  | Control w/ Overlay**            | 101645**    | 101645**    |
| 17  | Screw, #6-19 x 1/2" Plastite**  | 102499**    | 102499**    |
| 18  | Cover, Control Board**          | 101610      | 101610      |
| 19  | Thermistor                      | 102472      | 102472      |
| *Order as Kit for MRWD27, 701127-02 (Click Note for Details)   |                                 |             |             |
| *Order as Kit, for MRWD30, 701127-03 (Click Note for Details)  |                                 |             |             |
| **Order as Kit, 701120 (Click Note for Details)                |                                 |             |             |

# MRWD Drawer Assembly SS/Blk



| Ref #  | Description                  | MRWD27S     | MRWD30S     | MRWD30B     |
|--|------------------------------|-------------|-------------|-------------|
| 1  | Asy, Drawer Wrap, Service*   | 701121-02*  | 701121-03*  | 701121-03*  |
| 2  | Drawer, Backing Panel        | 103632      | 106390E     | 106390E     |
| 3  | Moist Crisp Slide            | 36454       | 36454       | 36454       |
| 4  | Handle, Finished             | 103800S     | 103799S     | 103799BG    |
| 5  | Door Skin w/ Logo, Service** | 701128-01** | 701128-02** | 701128-03** |
| 6  | Dacor Logo                   | 72510CH     | 72510CH     | 72510CH     |
| 7  | Nut, Lock, Nylon, #10-24     | 106078      | 106078      | 106078      |
| 8  | Knob, Damper, Black          | 82415B      | 82415B      | 82415B      |
| 9  | Screw, Pan Hd, #8-32 x 3/8"  | 83358       | 83358       | 83358       |
| 10   | Screw ,Wfr Hd, #8 x 3/8"     | 83534       | 83534       | 83534       |
| *Order as Kit for 27", 701121-02 (Click Note for Details)       |                              |             |             |             |
| *Order as Kit for 30", 701121-03 (Click Note for Details)       |                              |             |             |             |
| **Order as Kit for MRWD27S, 701128-01 (Click Note for Details)  |                              |             |             |             |
| **Order as Kit for MRWD30S, 701128-02 (Click Note for Details)  |                              |             |             |             |
| **Order as Kit for MRWD30B, 701128-03 (Click Note for Details)  |                              |             |             |             |